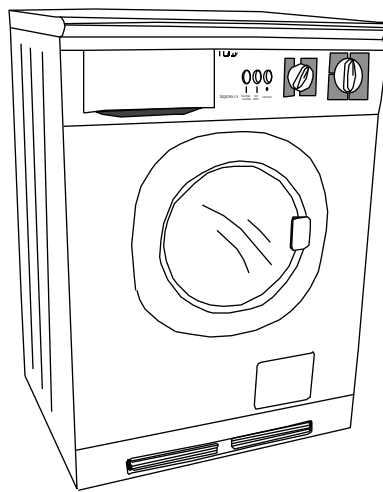


Haier®
■ ● ● ● ● ●
What The World Comes Home To™

**Front Load
Clothes Washer &
Dryer Combo**



**Lave-Linge Sechant a
Chargement Frontal**

**Lavadora y Secadora
de Carga Frontal**

User Manual-

Model #

Guide de l'Utilisateur-

Modèle

Manual del Usuario-

Modelo #

XQG50-11

English

IMPORTANT SAFETY INSTRUCTIONS

Warning – To reduce the risk of fire, electric shock, or injury to persons when using your appliance, follow basic precautions, including the following:

1. **Read all instructions before using the appliance.**
2. Use this appliance only for its intended purpose as described in this use and care guide.
3. Use only detergents or softeners recommended for use in this appliance and keep them out of the reach of children.
4. This appliance must be properly installed in accordance with the installation instructions before it is used.
5. Never unplug your appliance by pulling on the power cord. Always grasp the plug firmly and pull straight out from the outlet.
6. Replace immediately worn power cords, loose plugs/power outlets.
7. Unplug your appliance before cleaning or before making any repairs.
8. If your old appliance is not being used, we recommend that you remove the door. This will reduce the possibility of danger to children.
9. Do not operate your appliance in the presence of explosive fumes.
10. Do not use this appliance to wash clothes soaked, spotted or washed in gasoline, dry cleaning solvents or any other explosive or flammable substances that could ignite and explode.
11. Clothes or rags used to clean flammable or explosive materials should not be washed in this appliance till all traces of this material has been removed, to avoid an accident.
12. Do not add or mix any flammable or explosive substances to the wash.
13. Do not try to remove clothes while the tub is moving. Let it come to a complete stop before use.
14. The appliance loading door must be closed when tub is spinning.
15. Do not operate your appliance when parts are missing or parts are broken.
16. Do not use this appliance for commercial clothes washing.
17. Do not operate this appliance unless all enclosure panels are properly in place.
18. Do not tamper with controls.
19. To reduce risk of injury do not allow children to play in or on the appliance. Close supervision of children is necessary when the appliance is used near children.

20. This appliance must be connected to proper electrical outlet with the correct electrical supply.
21. Proper grounding must be ensured to reduce the risk of shock and fire. **DO NOT CUT OR REMOVE THE GROUNDING PLUG.** If you do not have a three-prong electric receptacle outlet in the wall, have a certified electrician install the proper receptacle. The wall receptacle **MUST** be properly grounded.
22. Hydrogen gas may be produced if the water heater has not been used in more than 2 weeks. This could be explosive and can explode under certain circumstances. If this is the case, before using this appliance turn on all the hot faucets and let the hot water run for a few minutes. This will let the trapped hydrogen escape. During this process do not turn on an electric appliance, smoke, light a match/lighter or use a flame to avoid an accident, as hydrogen gas is flammable and can explode.
23. Do not dry articles that have been previously cleaned in, washed in, soaked in, or spotted with gasoline, dry-cleaning solvents, or other flammable or explosive substances, as they give off vapors that could ignite or explode.
24. Do not repair or replace any part of the appliance or attempt any servicing unless specifically recommended in the user-repair instructions that you understand and have skills to carry out.
25. Do not use heat dry to articles containing foam rubber or similarly textured rubber-like materials.
26. Clean lint trap before and after each load.
27. Do not place items exposed to cooking oils in your dryer. Items contaminated with cooking oils may contribute to a chemical reaction that could cause a load to catch fire.
28. To reduce the risk of electric shock or fire, do not use extension cords or adapters to connect the unit to electrical power source.

SAVE THESE INSTRUCTIONS
For Future Use

English

DANGER

Risk of child entrapment. Before you throw away your old appliance, take off the door so that children may not easily get trapped inside.

Thank you for purchasing our Haier product. This easy-to-use manual will guide you in getting the best use of your washer & dryer combo unit.

Remember to record the model and serial number. They are on a label in back of the unit.

Model number

Serial number

Date of purchase

Staple your receipt to your manual. **You will need it to obtain warranty service.**

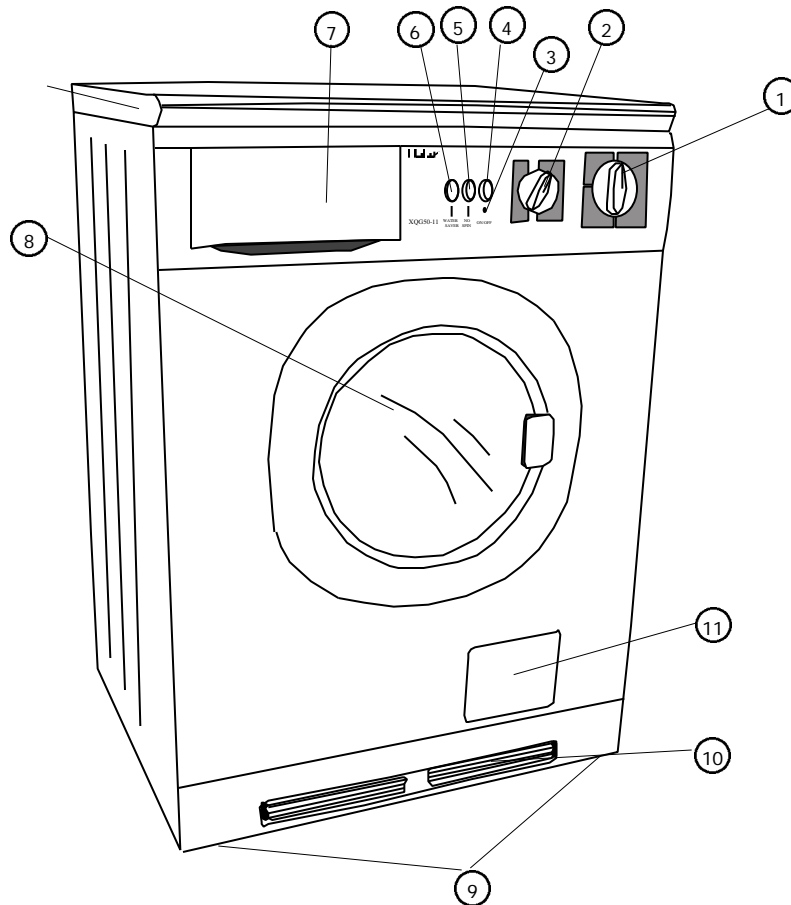
Table Of Contents

	PAGE
SAFETY INSTRUCTIONS	1
OPERATING INSTRUCTIONS	4
Parts and Features.....	5
Operations	7
Normal Operating Sounds.....	16
Care and Cleaning Guide	16
Cleaning and Maintenance	16
Moving and Vacationing	17
Storage of Your Washer	17
Troubleshooting	18
INSTALLATION INSTRUCTIONS	21
Tools and Materials Required.....	21
Unpacking Your Washer	22
Leveling Your Washer	23
Steps for Installation	23
Electrical Connections	26
Grounding Instructions.....	26
Power Interruptions	26
Warranty	27

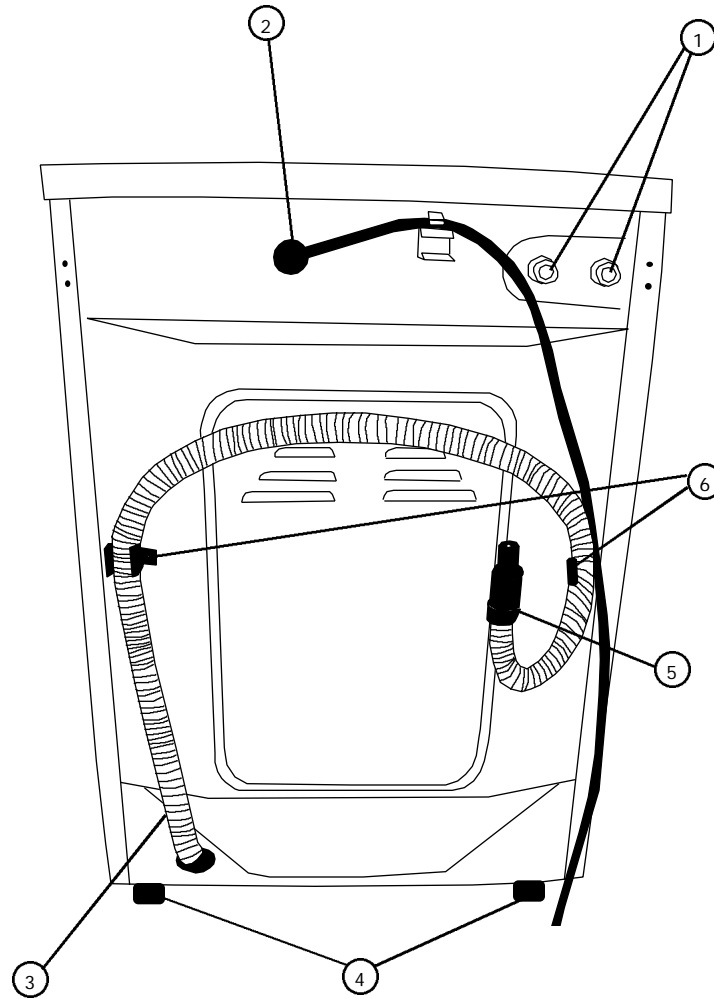
English

OPERATING INSTRUCTIONS

Parts and Features



- | | |
|-------------------------------|---|
| 1. Wash Cycle Selector Knob | 7. Detergent/Softener Dispenser |
| 2. Dry Cycle Select Knob | 8. See Through Glass Window Door |
| 3. Power "On" Indicator Light | 9. Front Adjustable Leveling Legs (Not Shown) |
| 4. Power "On/OFF" Button | 10. Caster Release Levers |
| 5. No Spin Selector Button | 11. Button Trap |
| 6. Water Saver Button | |



1. Water Inlets (Hot/Cold)
2. Power Cord (115 V / 60 Hz)
3. Drain Hose
4. Rear Adjustable Leveling Legs
5. "U" Clamp
6. Hose Retainer Clips

English

"Front Load" Washer

This style of washing is gentle on your laundry because it has a tumble wash action. Here there is no agitator to damage your clothes. Since there is no agitator in this style of washer, the washer runs quietly. This style of washer saves you money as it uses less water and detergent to clean your laundry.

OPERATIONS

Power Button:

- Push the button in to have your washer "ON". The light will turn on indicating that power is "ON". Push the button out to have your washer "OFF". The light will go off indicating that power is "OFF".



ON/OFF

Spin Cycle Selector Button:

- If you want to extract more water from your clothes during the wash cycle, leave the button in the out position. Clothes will be drier when this option is selected.
- If you do not want to extract water from your clothes using the spin cycle, push the button in. If this option is selected, only the excess water in the tub will drain leaving the clothes wet. The "No Spin" button when pushed in will not activate the spin cycle.

NO
SPIN

Advantages of No-Spin Cycle:

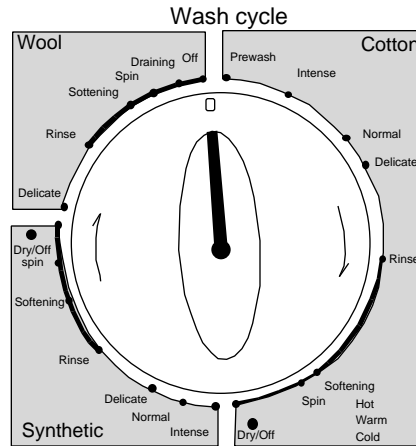
- The spin cycle may cause excessive creasing and wrinkling in some fabrics.
- High speed spin might be too strong for delicate garments. It could result in stretching or excessive wear.

Note: When the No Spin is pressed in, the machine will not automatically go to the spin dry function.

Water Saver:

- To activate this option press in the "Water Saver" button. If you are washing a small or a medium load you may want to use this option. This will reduce the water in the rinse cycle.

Wash Cycle



Turn the knob **CLOCKWISE** only to your desired setting when selecting the cycle.

Cotton Cycle

- 1-Pre-wash
- 2-Intense
- 3-Normal
- 4-Delicate
- 5-Rinse
- 6-Softening
- 7-Spin
- 8-Dry/Off

Synthetics

- A-Intense
- B-Normal
- C-Delicate
- D-Rinse
- E-Softening
- F-Spin
- G-Dry/Off

Wool

- I-Delicate
- II-Rinse
- III-Softening
- IV-Spin
- V-Draining
- VI-Off

Below is the cycle reference chart for your clothes.

Follow the steps below to select the proper cycle:

1. Select proper cycle.
2. Turn the knob clockwise. Make sure to line up the symbol indicator on the control panel.
3. Push the power "ON" button.

English**Cotton Cycle:**

Pre-Wash Cycle: The purpose of this cycle is that if you want to pre-wash heavily soiled clothes before the actual wash cycle begins. This cycle is configured in such a manner that it will go through Intense → Normal → Delicate wash cycles time mode and then the rinse and spin cycles automatically to complete the wash. The total time for this cycle is approximately 147 minutes when selected.

Intense Wash Cycle: This is used for work & play, household linens, heavily soiled and cotton clothes. This cycle is approximately 120 minutes.

Normal Wash Cycle: This is used for normal to lightly soiled items that needs to be washed. This cycle is approximately 80 minutes.

Delicate Wash Cycle: This is also used for load of soiled items that needs to be washed delicately. This cycle is approximately 60 minutes.

Synthetics Cycle:

Intense Wash Cycle: This cycle is used for heavily soiled permanent press, silks, wools, nylon and acrylic fabrics. This cycle is approximately 59 minutes.

Normal Wash Cycle: This is used for a small load of lightly soiled items that needs to be washed. This cycle is approximately 42 minutes.

Delicate Wash Cycle: This cycle is used for loads of soiled items that need to be washed delicately. This cycle is approximately 33 minutes.

- If you set the machine to automatically dry after the wash cycle, the machine will wash and then dry without interruption. However if you press "No Spin" button the machine will drain and shut-off after the wash cycle is complete. **It will not spin or advance to the dry cycle.**
- If you do not set the machine for automatic drying and do not depress the "No Spin" button after the wash portion of the cycle is complete (at "Soak/Pause" indication on control panel) the machine will stop. **You must either:**
 - A) Drain Only: Prevent spinning by pressing the On/Off switch, advance the "Cycle Selector Knob" to "Drain" and again press the "On/Off" switch.
 - B) Drain and Spin: Press the On/Off switch, advance the "Cycle Selector Knob" to "Spin" and again press the "On/Off" switch.

Wool Cycle:

Delicate Wash Cycle: This cycle is used for delicate fabrics that are often washed by hand. This cycle is approximately 32 minutes.

- After the wash position of the cycle is complete (at "Soak" indication on control panel) the machine will stop. **You must either:**
 - A) Drain Only: Prevent spinning by pressing the On/Off switch, advance the "Cycle Selector Knob" to "Drain" and again press the "On/Off" switch.
 - B) Drain and Spin: Press the On/Off switch, advance the "Cycle Selector Knob" to "Spin" and again press the "On/Off" switch. Please note that if you press the "Spin Cancel" button before starting the Wool cycle, the machine will automatically drain and shut-off. Here you do not have to touch the control panel. The machine will not automatically switch over to the dryer function.

Note: If the Spin Cycle is at "OFF" position before starting a cycle, the machine will automatically switch to drain and shut off. The machine will not automatically switch over to the dryer function.

English

Temperature

The water temperature is preset so when you select wash cycle it will set the proper temperature for that wash load.

Please see the chart below to understand the proper temperature for each cycle:

Type of Cycle	Type of Temperature
Cotton Cycle	
Pre-Wash	Cold
Intense	Hot
Normal	Warm
Delicate	Cold
Rinse	Cold
Synthetic Cycle	
Intense	Hot
Normal	Warm
Delicate	Cold
Rinse	Cold
Wool Cycle	
Delicate	Cold
Rinse	Cold

Note: Hot water needs to be at a temperature of at least 120 degree F 140 Degree F (49 Degree C - 60 Degree C) for the soap to dissolve and to avoid soap residue remaining on clothes. If your water temperature is not at above described level when washing your clothes, you need to regulate your water heater to maintain that temperature.

Loading the Washer:

- Load each item loosely.
- Separate the white and colored clothes. Separate heavy clothes from light clothes.
- Carefully check all pockets and cuffs for small items. They can easily slide in to the tub and may damage the tub.
- Pre-treat all stains and heavily soiled areas for best results.
- Do not overload your washer.
- Close the door properly after loading the clothes.

Proper Use of Dispenser:

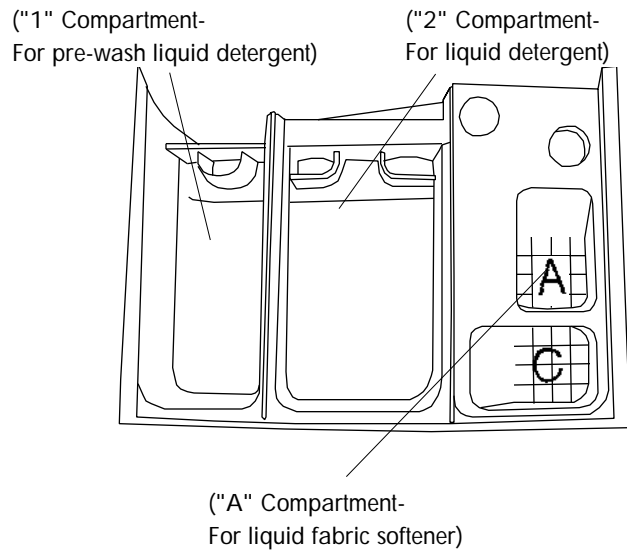
The detergent/softener dispenser is located on the upper left corner of the washer. Open the dispenser by pulling it out. You will see that there are four compartments.

"1" Compartment: This is used for liquid detergent for pre-wash. This is used when you want to pre-wash heavily soiled dirty clothes before going to actual wash cycle.

"2" Compartment: This is used for liquid detergent for actual wash cycle.

"A" Compartment: This is used for liquid fabric softener.

"C" Compartment: This is used for bleach.



Proper Use of Fabric Softener:

- Pour in liquid fabric softener into the compartment as recommended by the manufacturer.
- Do not exceed the level in the compartment to avoid overflow.

English

Proper Use of Detergent:

Low-Sudsing is recommended for front load style washers. This type of detergent prevents damage to your washing machine; which may be caused by excess amount of suds entering the condensing compartment.

Note: You can use less or more detergent depending on the size of the load, water type in your area whether it is soft or hard and whether the clothes are heavily soiled or lightly soiled. Besides the performance of the washing machine the quality of the detergent also affect the washing result.

- Warning:**
- Never pour fabric softener directly onto clothes as it may stain your clothes or you may get spots on your clothes.
 - Do not use powder form of softener into dispenser it may clog up the dispenser. This dispenser is only designed for liquid only.

Dryer Operation:

- Your dryer is "**condensing type**" which means it requires no venting. During the drying process, the evaporating water from your clothes is condensed by the machine and drained in the form of water out of the drain hose. The machine uses small amount of fresh water that is automatically fed to the machine from the inlet hose. You may hear that the machine is drawing water during the dry cycle.
- With this vent-less design, you can install the dryer under the counter to have a built-in look or any other enclosed area.

Note: The drying operation of this unit is different then other dryers you may have used in the past. Large household and laundromat dryer operate on 220 volt which supply more elctricity and allows faster drying time. Your washer & dryer combo unit operates on 115 volts; which supply less electricity, resulting in longer drying time.

- You can select drying time from 2 settings. 120 mintutes for High Temp and up to 80 minutes for Low Temp. See below the recommended temperature and time setting for different clothes:

Dry Time Selection	Heat Type	Types of clothes
120 minutes	High	For jeans and towel etc.
80 minutes	Low	For light garments such as bed sheets, skirts, socks etc.

Note: For full loads, you may want to remove $\frac{1}{3}$ to $\frac{1}{2}$ of the load and dry the remaining clothes separately. This will be an efficient way to dry your clothes and will not take as long to dry. For less than full loads, you may want to reduce drying time. This will prevent over drying of your clothes.

Manual Operation of the Dryer:

- To operate the dryer manually, simply load machine with wet clothes, turn the "Dryer Selector Knob" to the desired time and push the power button "ON".

Note: When operating the dryer, you must keep "Wash Cycle Selector" knob in the "OFF" position.

Automatic Operation of the Dryer:

- For the automatic operation, simply set the Dry Cycle Selector Knob to the desired time at the beginning of the wash cycle. When the wash cycle is finished, the dryer will turn on automatically.

Note: The dryer will not turn on automatically if the "No Spin" button is pushed in. You must keep the "No Spin" button in an out position in order to go from wash function to dryer function automatically. The dryer will not come on automatically after the wool cycle.

Note: When washing full load, we recommend that you keep the spin cycle in the "OFF" position to prevent the unit from going to dry mode automatically at the end of cycle if the spin cycle was in "ON" position. This will give you the flexibility to take out $\frac{1}{3}$ to $\frac{1}{2}$ of the load and dry the remainder. The advantage is that your clothes will dry evenly and more quickly.

Loading the Dryer:

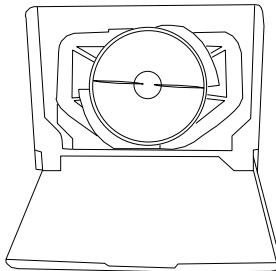
1. Sort clothes for drying. Separate dark and light colored items, like you do for washing. Check for stains that have not been removed in washing. Dryer heat may permanently set some stains. Properly dried clothes will need minimum of care when removed from dryer.
2. Load up dryer with washed clothes. For optimum result, use dryer load of similar weight, fabric and construction. Place small items in a mesh bag to prevent from tangling. Do not overload the dryer. Add fabric softener sheet if desired.
3. Select the drying time depending on the fabric type and load size.
4. Wait for the drying cycle to finish before opening the door.

Note: Do not over dry your clothes. over drying can cause shrinkage, harshness and wrinkling of fabric.

English

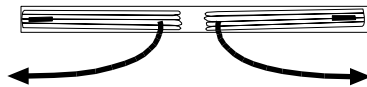
Button Trap

- Button Trap is designed to collect small objects such as button, coins, etc. As this may happen very rarely, we recommend to check trap no more than twice a year.
- Button trap is located on the bottom front right corner behind the small door cover. Push on the bottom to open the door cover. To remove the trap, turn the knob to counter clockwise position. This will unlock the trap. To put it back, turn the knob to clockwise position. This will lock the trap.



Casters

For your convenience, your machine comes with casters. Casters are located on the bottom front right and left side of the machine. Pull the caster levers out towards you to unlock the casters. When the machine is placed in the appropriate location push caster levers back into position.



Normal Operating Sounds

The following sounds are normally heard during the operation of the washer:

- Tumbling sounds: This is normal as the heavy wet clothes in the Washer are continuously being tossed around.
- Air rushing noise: This happens when the Washer tub spins at very high RPM.
- Wash and Rinse cycles going on and off will also make clicking sounds.

Care and Cleaning Guide

Warning: Always unplug your appliance to avoid electric shock before cleaning. Ignoring this warning may result in death or injury. Before using cleaning products, always read and follow manufacturer's instructions and warnings to avoid personal injury or product damage.

Cleaning and Maintenance

Use only damp or sudsy cloth for cleaning control panel.

- To avoid any kind of damage to cabinet finish, wipe appliance cabinet as needed. If you spill liquid/powdered softener, bleach or detergent on the cabinet, wipe cabinet immediately because it can damage the finish.
- Do not use any abrasive, harsh chemicals, ammonia, chlorine bleach, concentrated detergent, solvents or metal scouring pads. Some of these chemicals may dissolve, damage and/or discolor your appliance.
- Remove pins or other sharp objects from clothes to prevent scratching of the interior parts.
- You should check the button trap at least twice a year. Do not use the washer without the button trap in place.
- The Detergent Dispenser Compartment is removable. Over time, this compartment may accumulate dried detergent, dirt and debris. You must remove it, then rinse in a sink or remove debris with a soft brush.

English

Moving & Vacationing

- Turn off water supply faucets and disconnect hoses. Drain water from all hoses. This will prevent from damaging due to water leakage if the hoses accidentally get ruptured or they become loose.
- Disconnect electrical plug.
- Dry inner wash tub. If moving washer, disconnect drain hose.
- Turn the leveling legs clockwise all the way in.
- Reinstall both shipping bolts and metal brackets in the back to prevent internal part from shaking when appliance is moving to another location.
- To prevent mold or mildew, leave door open so moisture inside machine can evaporate.

Storage of Your Appliance in Cold Environment

- This appliance must be stored at room temperature.
- If you just got delivery of this appliance when outside temperature is below freezing, do not operate until this appliance has warmed to room temperature.
- Do not install or operate this appliance in the area where room temperature is below freezing.

Troubleshooting

Washer does not operate:

- Check if unit is plugged in. The plug may have come loose.
- Check if the electrical wall receptacle is of proper voltage.
- Check if the circuit breaker needs to be reset or if the fuse needs to be replaced.
- Check if the unit is in "Off" mode.
- Check if the washer is overloaded: load may need to be re-balanced and clothes may need to be redistributed.
- Check if the door is open. You may have to close the door properly.
- Check if the control knob is set properly. You may have to adjust the control knob.
- The washer pauses in some cycles. This is normal in cycle, which has short soak period where your clothes are being soaked for very short period of time. You will not hear washer operation for a short period of time. When the soak time is over, it will start automatically.

Problems with water:

- Not enough water coming out: Water faucet may need to be turned on fully. Water hoses may be tangled up or wrinkled up. Straighten up hoses. Check water saver selection, it may need to be readjusted.
- Water Temperature is incorrect: Check your water heater temperature. Hot water needs to be at a temperature at least 120°F -140°F (49°C – 60°C). Check to make sure the inlet hoses are properly connected. (e.g. hot to hot & cold to cold)
- Water leaks: This is due to not properly installing drain hose or fill hoses. Your home drain may be clogged or having constant water pressure. You may need to tighten hoses, check the plumbing or call a plumber.
- Water pumped out before the cycle is completed: It happens if you open the door in the middle of cycle.
- Water will not drain: This is due to not installing your drain hose properly. You may need to connect the drain hose properly. Check the position of the drain hose. In order to drain properly, make sure that top of drain outlet is less than 4 ft. (1.2 m) above the floor.

English**Washer is making noise:**

- Washer may need to be reinstalled. (Check washer installation section)
- Washer load may need to be re-balanced, as the load may be uneven.
- Coins, loose change, buttons or other heavy objects could make noise (read Operating Guide – Normal Operating Sounds).
- Squealing Sound: Due to overloaded wash tub.
- Vibration Noise: Due to not leveling washer properly on the floor and uneven distribution of clothes in the tub.

Problems with clothes:

- Clothes are too wrinkled: this is due to improper sorting, overloading and washing in too hot water repeatedly. Avoid overloading and resort your load. Do not mix heavy clothes such as work clothes with light clothes such as blouses, light shirts and delicate items. You may need to wash in warm or cold water.
- Have soap residue: detergent may not be dissolving in water. Check water temperature or you need to add detergent as wash tub is being filled with water before you load your clothes to avoid soap residue on clothes.
- Spots or stains on your clothes: this is due to incorrect use of fabric softener. You may need to follow proper manufacturer instructions on the container and follow proper directions for using the softener.
- Clothes are grayed or yellowed: this is due to not pouring enough detergent for large loads. You may have to add more detergent to the load.
- Clothes are ripped & have holes/excessive wear & tear: this is due to sharp objects such as pins and belt buckles left in pockets. You will need to remove small loose sharp objects. Fasten belts, zippers, metal snaps etc. Check if you are using undiluted bleach. Never add undiluted bleach to wash.

Dryer does not operate:

- Check if unit is unplugged. The plug may have come loose.
- Check if the circuit breaker needs to be reset or if the fuse needs to be replaced
- Check if the unit is in "OFF" mode. Press the "ON" button again.
- Check if the door is open.

Dryer is working but not drying the clothes:

- Unit may be over loaded. The dryer drum should only be half full.
- Dryer load needs to be resorted. Heavy clothes may need to be separated from regular clothes.
- Bulky clothes may require repositioning.
- If clothes dry unevenly, a higher dry setting may be required or clothes in the dryer may need to be resorted.

Dryer making noise when drying:

- Coins, loose change, buttons and other heavy objects could make noise.
- Dryer may need to be leveled evenly. Read Operating Guide-Normal Operating Sounds.

Static:

- Caused by over drying. Adjust for shorter drying time.
- Mix with synthetic fabric. Sort and separate different fabrics.
- Use a fabric softener.

English

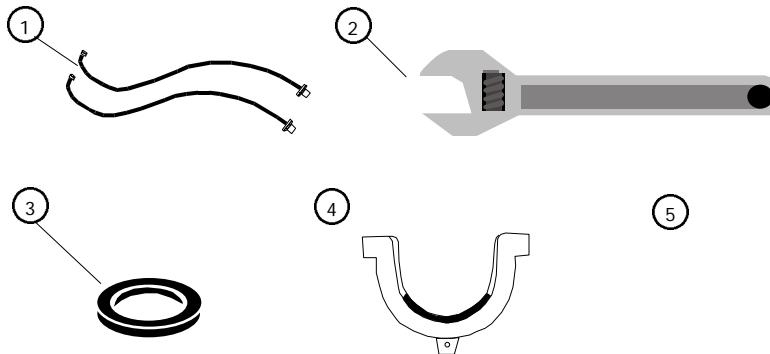
INSTALLATION INSTRUCTIONS

Tools and Materials Required

You will need to have following tools to help you in the installation of your Washer:

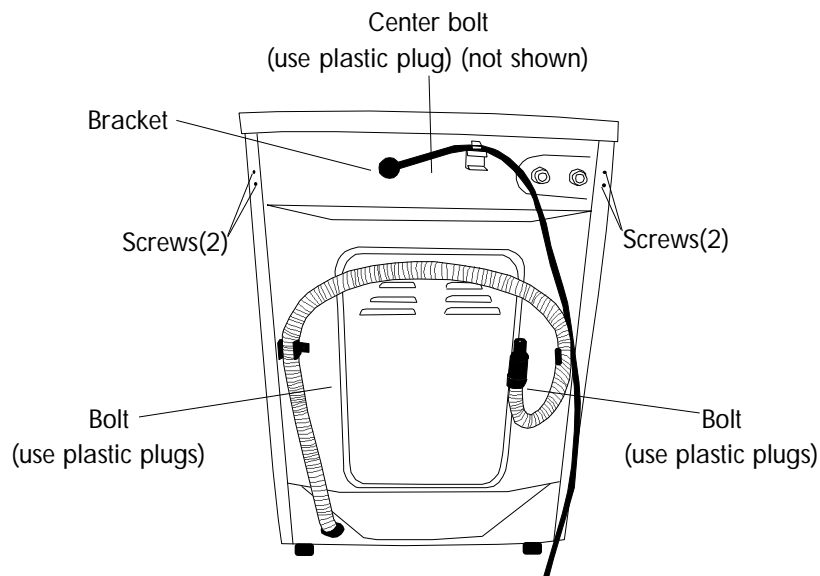
- Scissors
- Phillips Screwdriver
- Standard Screwdriver
- Pliers
- Wrench
- Tape Measure
- Gloves
- Level

Accessories Supplied	Quantity
1. Hot & Cold water inlet hoses	2
2. Wrench	1
3. Flat Water Inlet Hose Washers	4
4. Gooseneck	1
5. Plastic Plugs	3



Unpacking Your Appliance

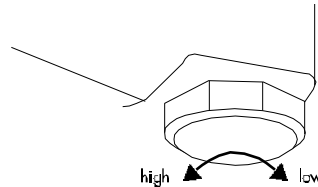
- Remove all packing materials including transportation bolts and brackets. Also remove adhesive tape holding the accessories inside and outside.
- Inspect and remove any remains of packing, tape or printed materials before using the washer.
- Remove 2 bolts, 4 screws and 1 center bolt holding metal bracket from the back of the unit that are installed to protect drum and internal components from damage during shipping. (Wrench is included in the instruction manual bag)
- Screws and Bolts must be removed before using the machine. Once removed, save them so when moving you can reinstall to protect the machine from damage during shipping.
- Once you remove the bracket, reinstall bracket screws, for center bolt and 2 side bolts. Use supplied plastic plugs to prevent damage to the machine.



English

Leveling Your Appliance

- Your washer has 4 leveling legs; which are located on the four bottom corners. After properly placing your washer in its final position, you can level your washer.
- Leveling legs can be adjusted by turning them counterclockwise to raise your washer or turning them counter clockwise to lower your washer.



Steps for Installation

Select a suitable location for this appliance on a hard even surface away from direct sunlight or heat source e.g. radiators, baseboard heaters, cooking appliances etc. Any floor unevenness should be corrected with the leveling legs located underneath, on the bottom corners. This appliance must be placed at room temperature. You must not place this appliance where the temperature is at below freezing.

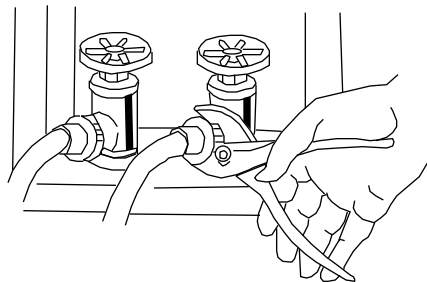
Installing Your Washer:

Read install instructions carefully before installation.

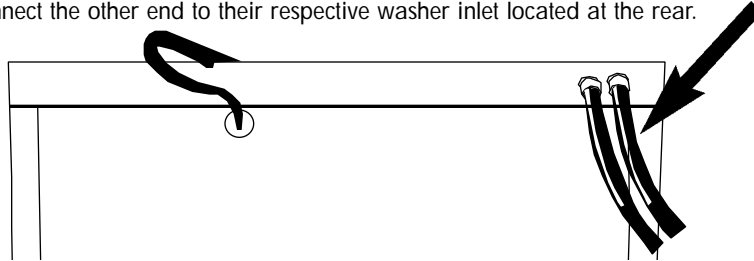
Caution: If, after completing these steps, you are unsure that unit is properly installed, contact a qualified installer. To ensure that your appliance is properly installed it is recommended that it be installed by a certified installer.

1. Insert a new flat washer into each end of the inlet hoses. Firmly put the washers in the coupling.

Note: You may have to use pliers to tighten the coupling. Do not over tighten because you may cause damage to the valve.

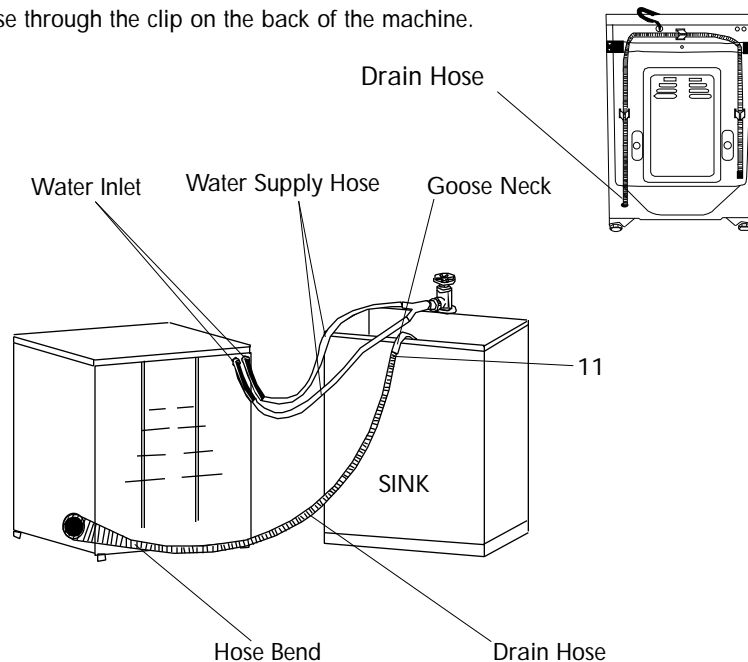


2. Connect the hot and cold water inlet hoses to the hot and cold water faucets respectively.
3. Connect the other end to their respective washer inlet located at the rear.



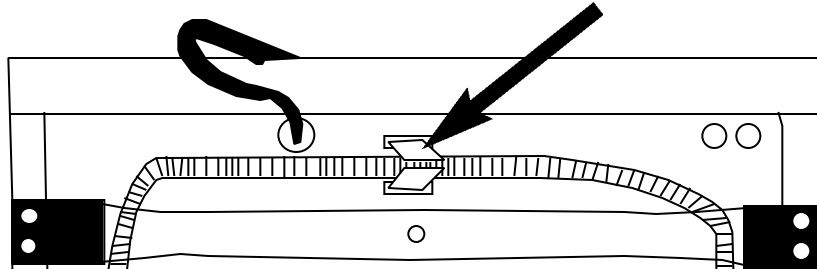
Note: Hot water needs to be at a temperature of at least 120°F – 140°F. (49°C- 60°C) for the soap to dissolve and to avoid soap residue remaining on clothes.

4. Install the drain hose into a drain pipe. The drain hose must be placed into a drainpipe at least 1 1/2 inches in diameter or directly into a sink. Use the "goose neck" to hold hose in place. To avoid possible water back up, the drain hose must reach height of at least 31 1/2 inches minimum and 40 inches maximum. If the sink is less than 37 1/2 inches in height, route drain hose through the clip on the back of the machine.



English

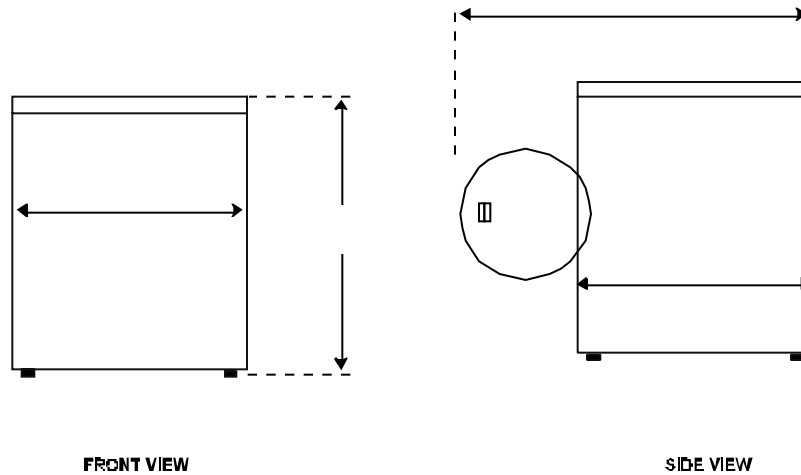
(Route Drain Hose through Clip)



Note: Inspect carefully for any leaks around and back of the machine. If leak occurs, double check to see if any connections are loose. You may need to tighten any loose connections.

5. Plug in the Washer to a regular 115 volt / 60 Hz, 15 amp outlet.

Unit Dimensions



Electrical Connections

Grounding Instructions

This appliance must be grounded. In the event of an electrical short circuit, grounding reduces the risk of electric shock by providing an escape wire for the electric current. This appliance is equipped with a cord having a grounding wire with a grounded plug. The plug must be inserted into an outlet that is properly installed and grounded.

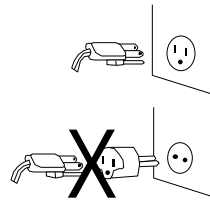


- Improper use of the plug can result in a risk of electric shock.
- Consult a qualified electrician or service person if the grounding instructions are not completely understood or if doubt exists as to whether the appliance is properly grounded.

Wiring Requirements:

- This appliance must be plugged into at least 15 AMP 115-120 VOLT, 60 HZ GROUNDED OUTLET.

Note: Where a standard two-prong outlet is encountered, it is the personal responsibility and obligation of the consumer to have it replaced with a properly grounded three-prong outlet.



Extension Cords:

We do not recommend that you use an extension cord.

Power Interruptions

Occasionally there may be power interruptions due to thunderstorms or other causes. Remove the power cord from AC outlet when a power outage occurs. When power has been restored re-plug power cord to AC outlet. If outage is for a prolonged period, clean washer before using it again.

Limited Warranty

In Home Service

Full ONE Year Warranty

For 12 months from the date of original retail purchase, Haier will repair or replace any part free of charge including labor that fails due to a defect in materials or workmanship.

Limited Warranty

After one year from the original retail purchase date, Haier will provide a part at no cost, as indicated below, to replace said part as a result of a defect in materials or workmanship. Haier is solely responsible for the cost of the part. All other costs such as labor, trip charge, etc are the responsibility of the owner.

Third through Fifth Year

Haier will provide the cabinet assembly should the cabinet rust through

Third through Tenth Year

Haier will provide the inner stainless steel wash tub.

NOTE: This warranty commences on the date the item was purchased and the original purchase receipt must be presented to the authorized service representative before warranty repairs are rendered.

Exceptions: Commercial or Rental Use Warranty

90 days labor from date of original purchase
90 days parts from date of original purchase
No other warranty applies

For Warranty Service

Contact your nearest authorized service center. All service must be performed by a Haier authorized service center. For the name and telephone number of the nearest authorized service center please call 1-877-337-3639.

Before calling please have available the following information:

Model number and serial number of your appliance. The name and address of the dealer you purchased the unit from and the date of purchase. A clear description of the problem. A proof of purchase (sales receipt).

This warranty covers appliances within the continental United States, Puerto Rico and Canada. What is not covered by this warranty:

Replacement or repair of household fuses, circuit breakers, wiring or plumbing.
A product whose original serial number has been removed or altered.
Any service charges not specifically identified as normal such as normal service area or hours.
Damage to clothing.
Damage incurred in shipping.
Damage caused by improper installation or maintenance.
Damage from misuse, abuse accident, fire, flood, or acts of nature.
Damage from service other than an authorized Haier dealer or service center.
Damage from incorrect electrical current, voltage or supply.
Damage resulting from any product modification, alteration or adjustment not authorized by Haier.
Adjustment of consumer operated controls as identified in the owners manual.
Hoses, knobs, lint trays and all attachments, accessories and disposable parts.
Labor, service transportation, and shipping charges for the removal and replacement of defective parts beyond the initial 12-month period.
Damage from other than normal household use.
Any transportation and shipping charges.

THIS LIMITED WARRANTY IS GIVEN IN LIEU OF ALL OTHER WARRANTIES, EXPRESSED OR, INCLUDING THE WARRANTIES OF MERCHANTABILITY AND FITNESS FOR A PARTICULAR PURPOSE

The remedy provided in this warranty is exclusive and is granted in lieu of all other remedies.

This warranty does not cover incidental or consequential damages, so the above limitations may not apply to you. Some states do not allow limitations on how long an implied warranty lasts, so the above limitations may not apply to you.

This warranty gives you specific legal rights, and you may have other rights, which vary, from state to state.

Haier America
New York, NY 10018

IMPORTANT

Do Not Return This Product To The Store

If you have a problem with this product, please contact the "Haier Customer Satisfaction Center" at 1-877-337-3639.

DATED PROOF OF PURCHASE REQUIRED FOR WARRANTY SERVICE

IMPORTANT

Ne pas Réexpédier ce Produit au Magasin

Pour tout problème concernant ce produit, veuillez contacter le service des consommateurs 'Haier Customer Satisfaction Center' au 1-877-337-3639.
UNE PREUVE D'ACHAT DATEE EST REQUISE POUR BENEFICIER DE LA GARANTIE.

IMPORTANTE

No regrese este producto a la tienda

Si tiene algún problema con este producto, por favor contacte el "Centro de Servicio al Consumidor de Haier" al 1-877-337-3639 (Válido solo en E.U.A).

NECESITA UNA PRUEBA DE COMPRA FECHADA PARA EL SERVICIO DE LA GARANTIA

240 V, 60 Hz

Made in China
Fabriqué en Chine
Hecho en China

Haier[®]
What The World Comes Home To™

Haier America
New York, NY 10018

Printed in China